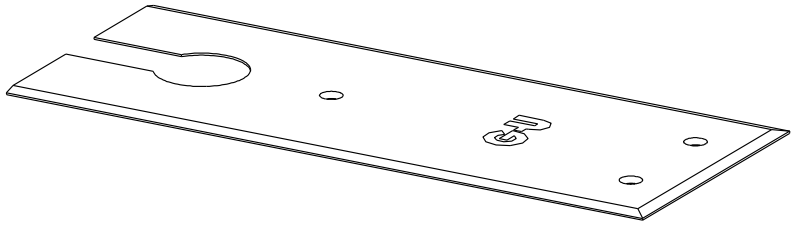
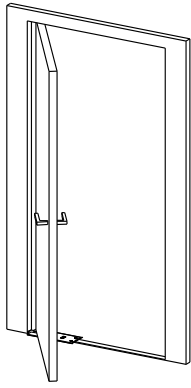


1 V-00704

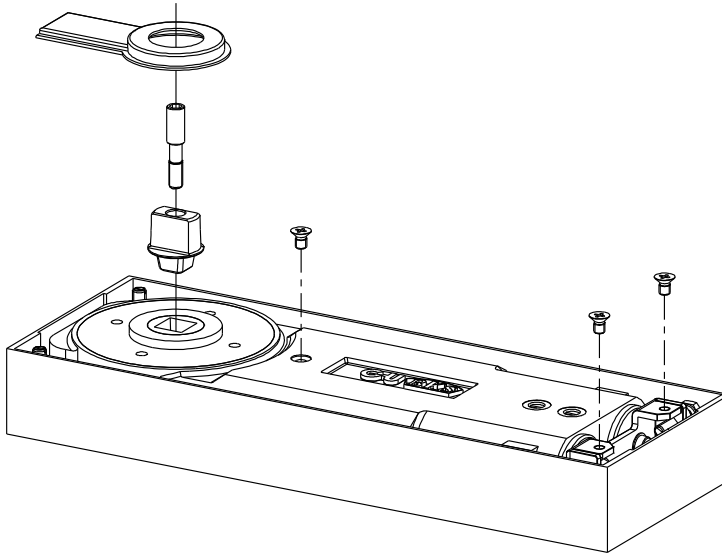


06	Gretsch-Unitas GmbH Baubeschäftige Johann-Maus-Str. 3 D-71254 Ditzingen	2008-UTS-0003 EN 1154:1996 + A1:2002 4 8 3 0 1 2	Substance: -----

06	Gretsch-Unitas GmbH Baubeschäftige Johann-Maus-Str. 3 D-71254 Ditzingen	2008-UTS-0003 EN 1154:1996 + A1:2002 4 8 4 0 1 2	Substance: -----

Proprietary rights apply in accordance with ISO 16016.

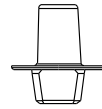
K-17442



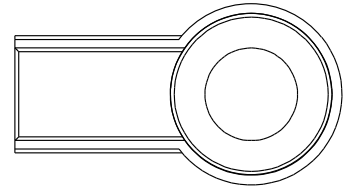
3x M5x8



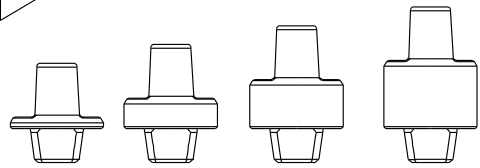
1x



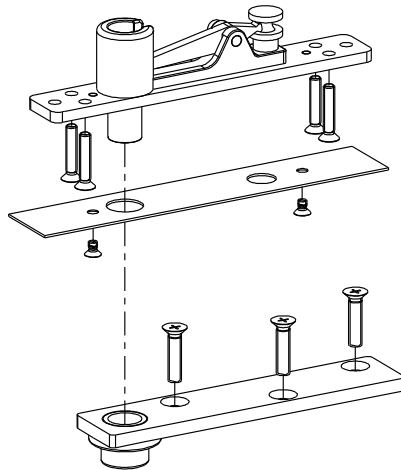
1x



opcional
en option
K-17443



K-17477



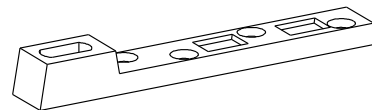
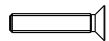
2x M4x6



3x M6x25



4x M5x25



EN

ES

FR

--

--

Instrucciones de montaje
Notice de montage

V4

Description

UTS 840 eje dividido, K-17442

UTS 840, axe divisée, K-17442



Release No.
--
Mod. No.
G30831

Level	Released	
Ver.	--	Wi
Draft	20.05.2015	Se

Scale
%

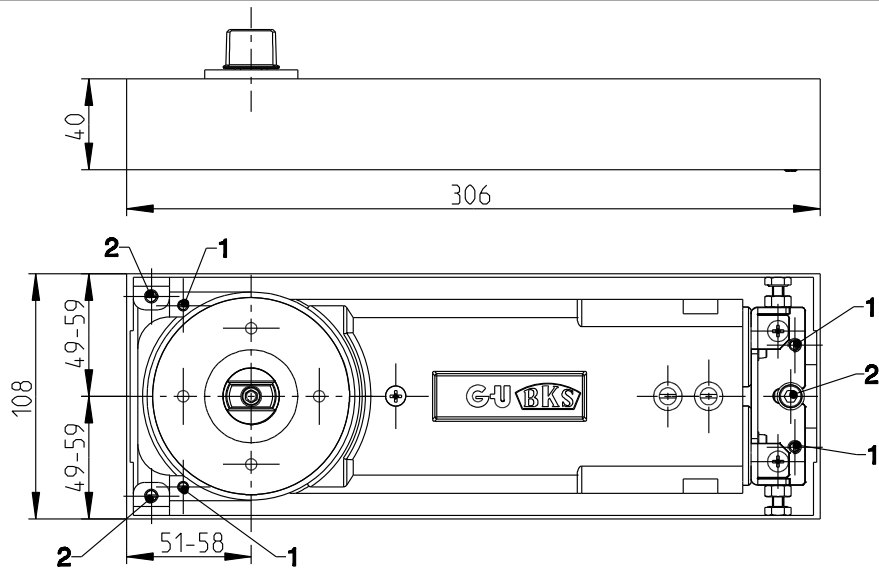
Modification
2
Drawing No.

Size
4
Sheet
1/3

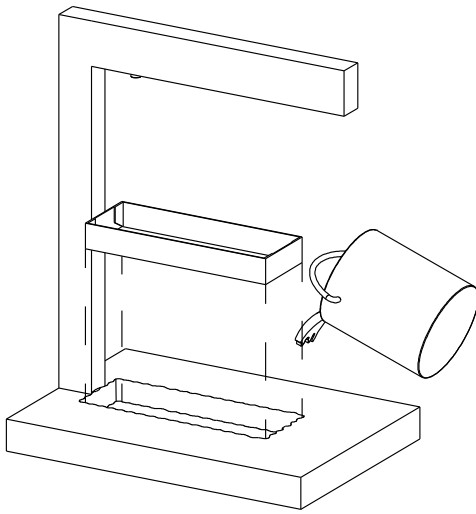
Replacement for M-00096-00-0

0-45402-PV-0-ES

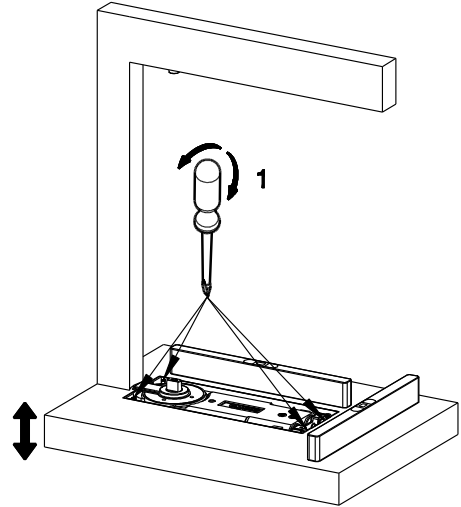
2



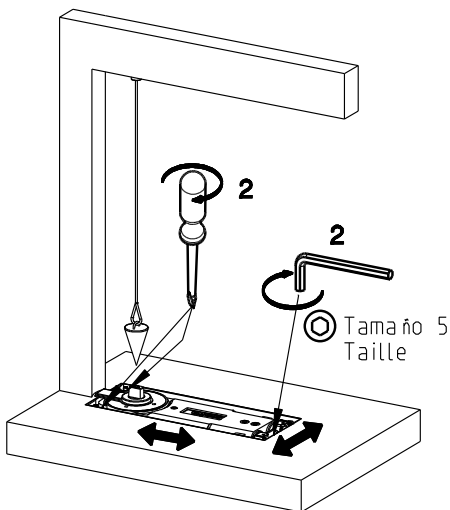
3



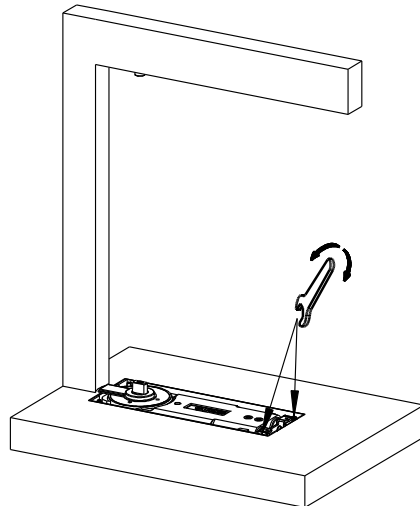
4



5



6



Proprietary rights apply in accordance with ISO 16016.

EN
ES
FR
--
--

Instrucciones de montaje
Notice de montage

V4

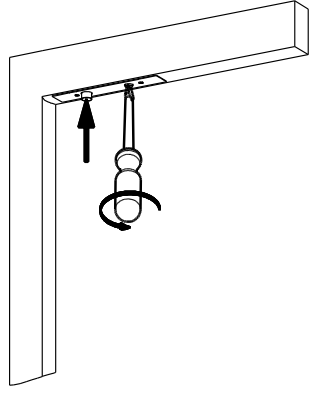
Description

UTS 840 eje dividido, K-17442

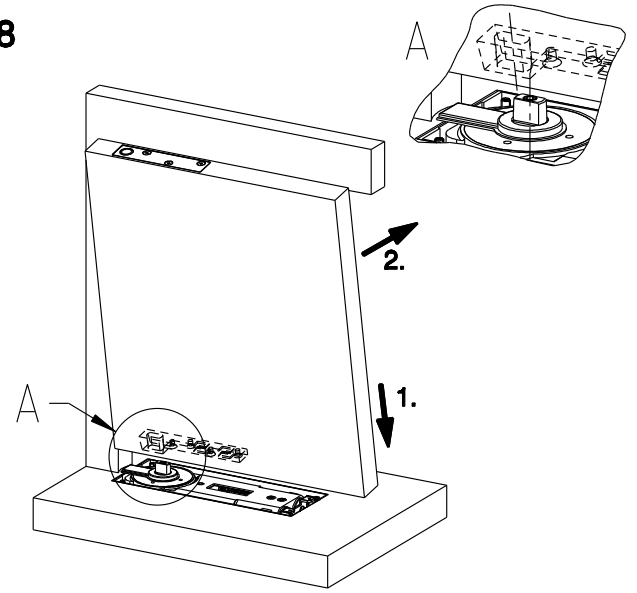
UTS 840, axe divisée, K-17442

	Release No.	Level	Released		Scale	Modification	Size
	--	Ver.	--	Wi			
	Mod. No. G30831	Draft	20.05.2015	Se		Drawing No.	Sheet
Replacement for M-00096-00-0						0-45402-PV-0-ES	2/3

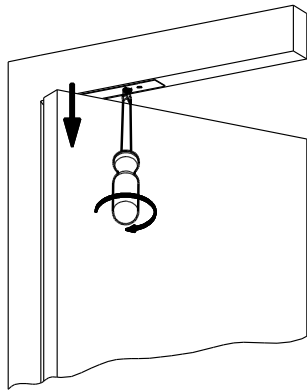
7



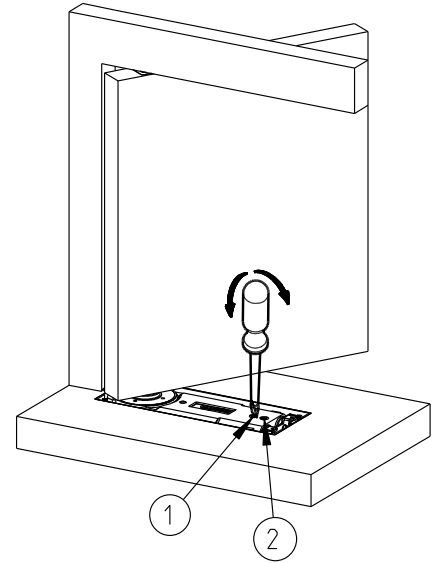
8



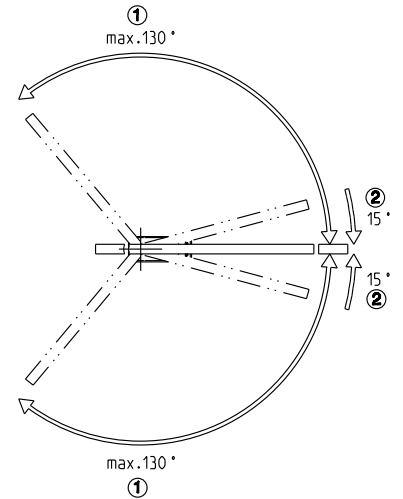
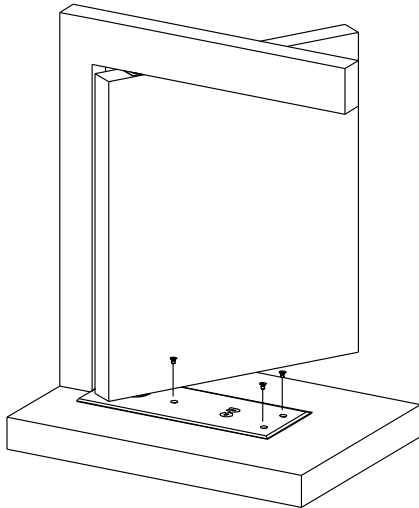
9



10



11



Proprietary rights apply in accordance with ISO 16016.

EN
ES
FR
--
--

Instrucciones de montaje
Notice de montage

V4

Description

UTS 840 eje dividido, K-17442

UTS 840, axe divisée, K-17442

	Release No.	Level	Released		Scale	Modification	Size		
	--	Ver.	--	Wi				% 2	4
	Mod. No. G30831	Draft	20.05.2015	Se					
Replacement for M-00096-00-0						0-45402-PV-0-ES	3/3		