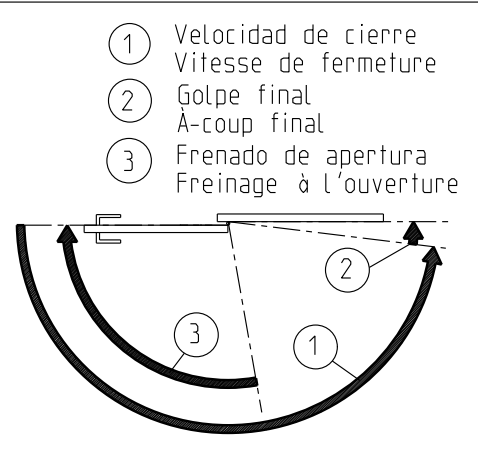
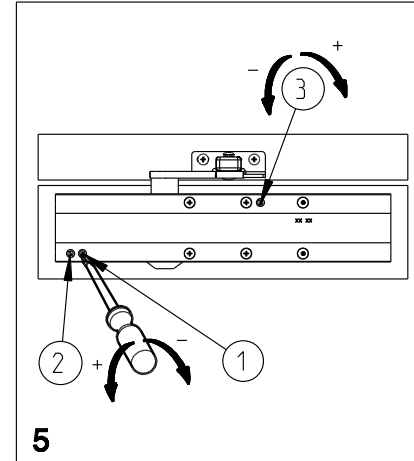
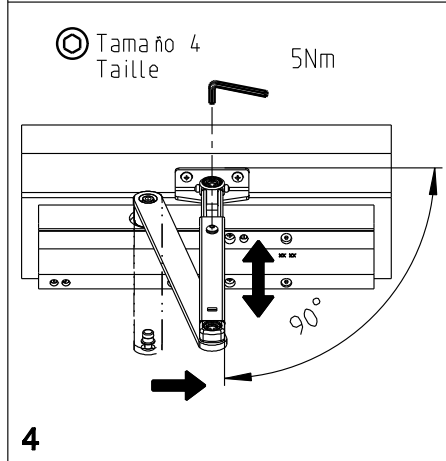
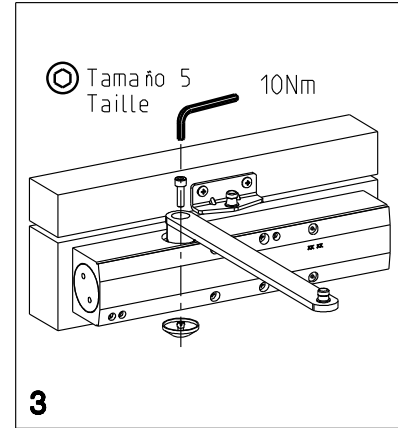
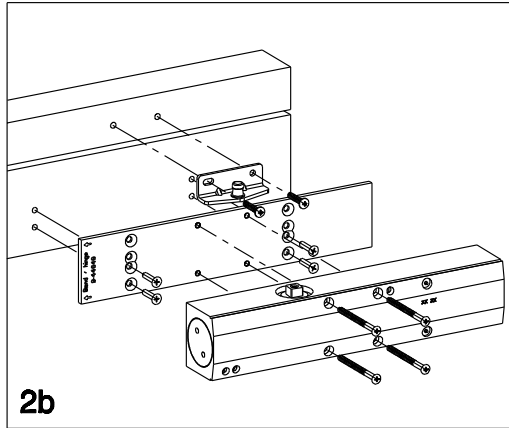
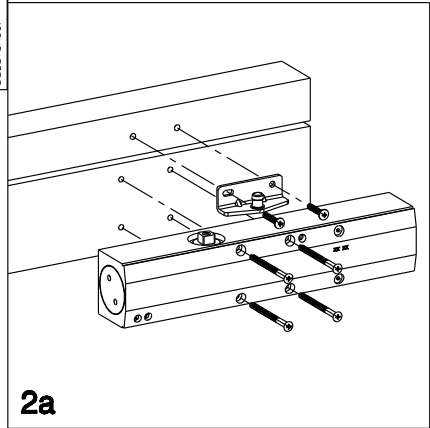
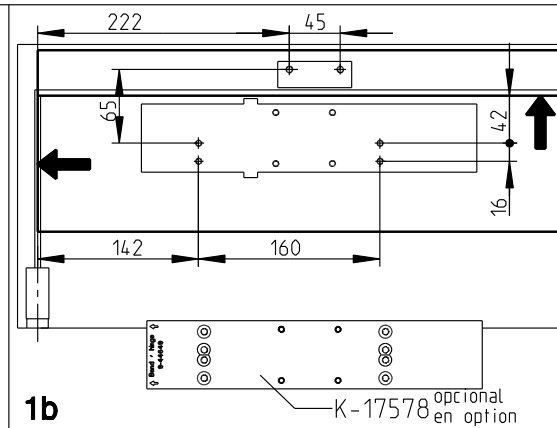
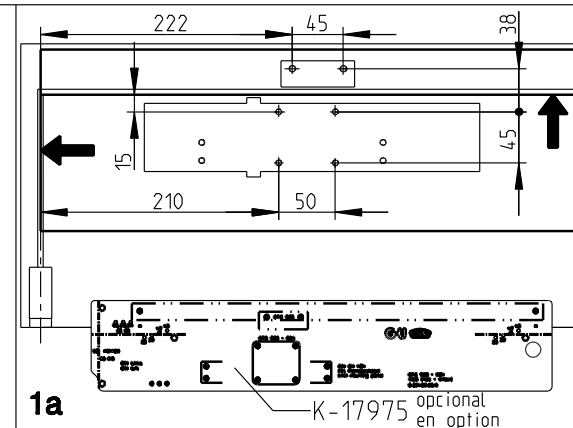
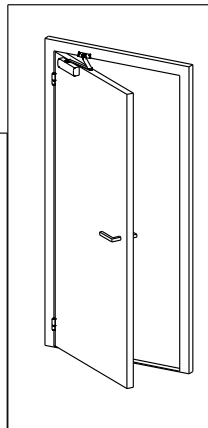


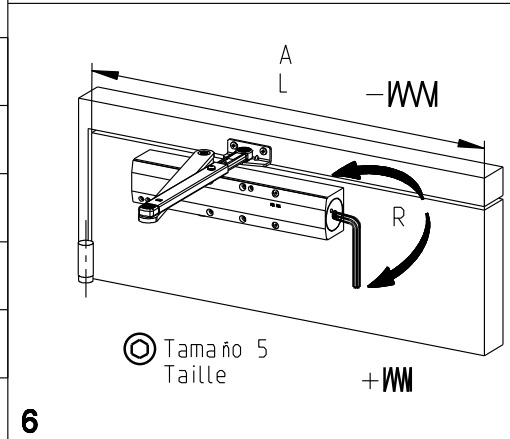
10	6	1	1	3
	6	2	1	3
Gretsch-Unitas GmbH Rauberschlö ße Johann-Maus-Str. 3 D-71254 Ditzingen				
EN 1154:1996 + A12:2002 4 8 2				
0432-LPD-0067				
Substance: -----				



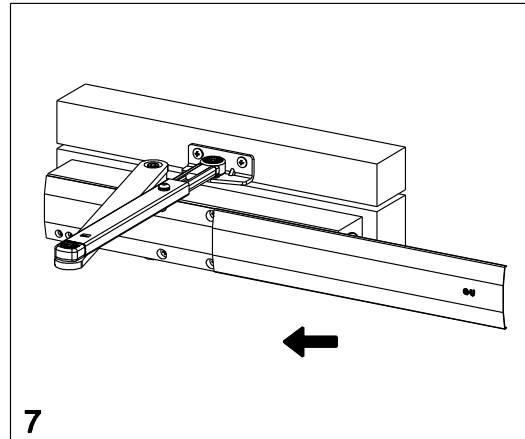
- 1 Velocidad de cierre / Vitesse de fermeture
- 2 Golpe final / À-coup final
- 3 Frenado de apertura / Freinage à l'ouverture

Proprietary rights apply in accordance with ISO 16016.

EN
ES
FR
--
--

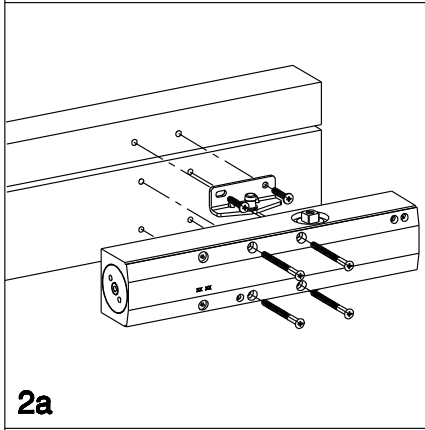
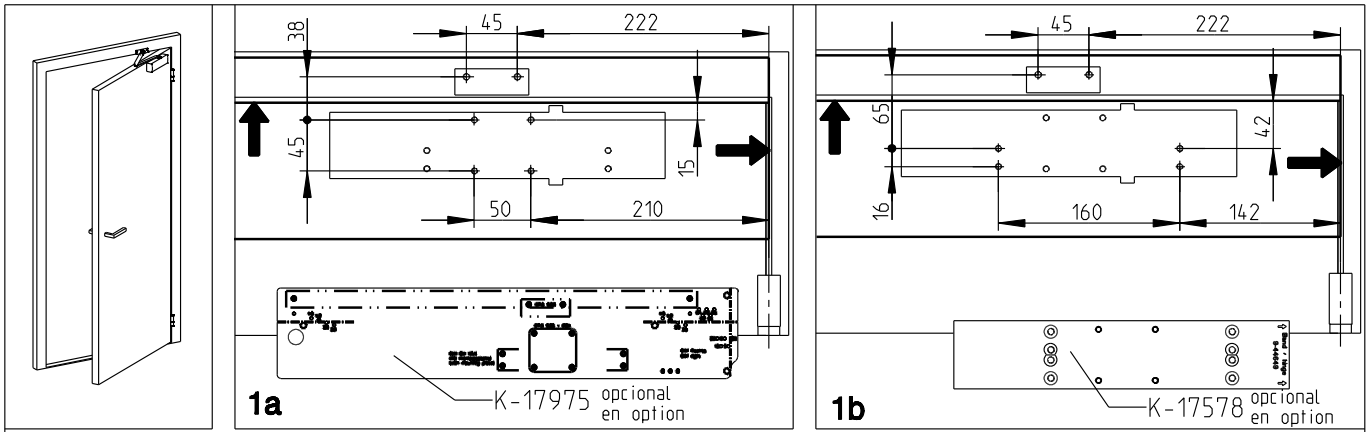


Fuerza de cierre / Force de fermeture		
EN	≤ A / L	R
2	850mm	- 6
3	950mm	- 5
4	1100mm	0
5	1250mm	+ 5
6	1400mm	+ 12

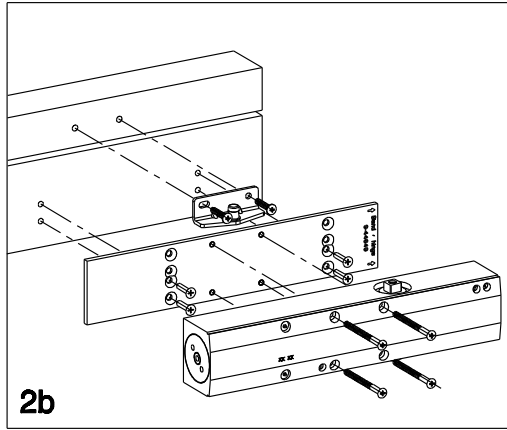


**Instrucciones de montaje**  
**Noticw de montage**

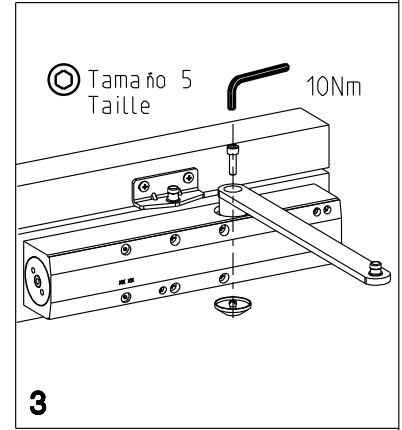
Description								
<b>OTS 536 montaje normal lado bisagras, DIN izda. K-17729 / K-17920</b>								
<b>OTS 536 montage standard coté paumelles, DIN gauche K-17729 / K-17920</b>								
	Release No.	Level	Released		Scale	Modification		
	Mod. No. G30831	Ver.	--	Wi			%	4
	Replacement for --	Draft	20.05.2015	Se				
					<b>0-45431-PG-0-ES</b>			
						1/4		



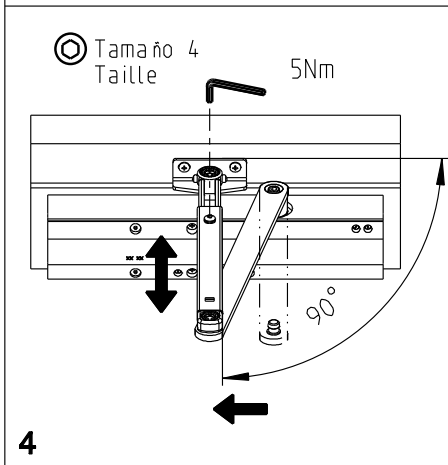
2a



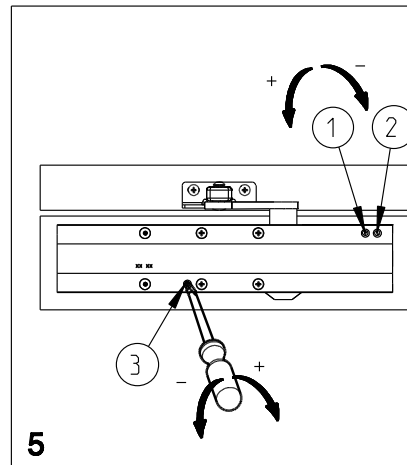
2b



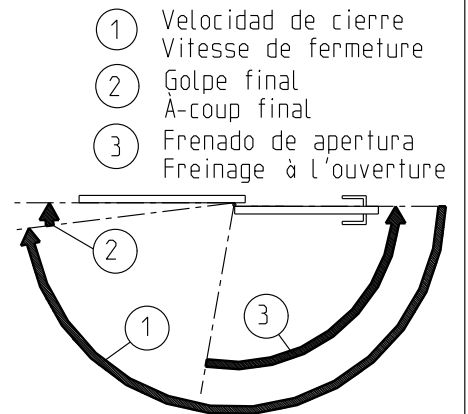
3



4

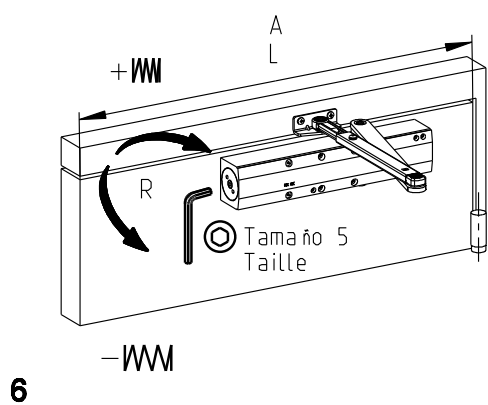


5



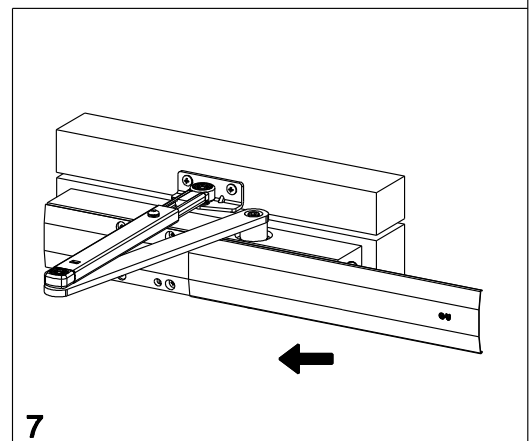
Proprietary rights apply in accordance with ISO 16016.

EN
ES
FR
--
--



6

Fuerza de cierre Force de fermeture		
EN	$\leq \frac{A}{L}$	$\curvearrowright$ R
2	850mm	- 6
3	950mm	- 5
4	1100mm	0
5	1250mm	+ 5
6	1400mm	+ 12



7

Instrucciones de montaje  
Notice de montage

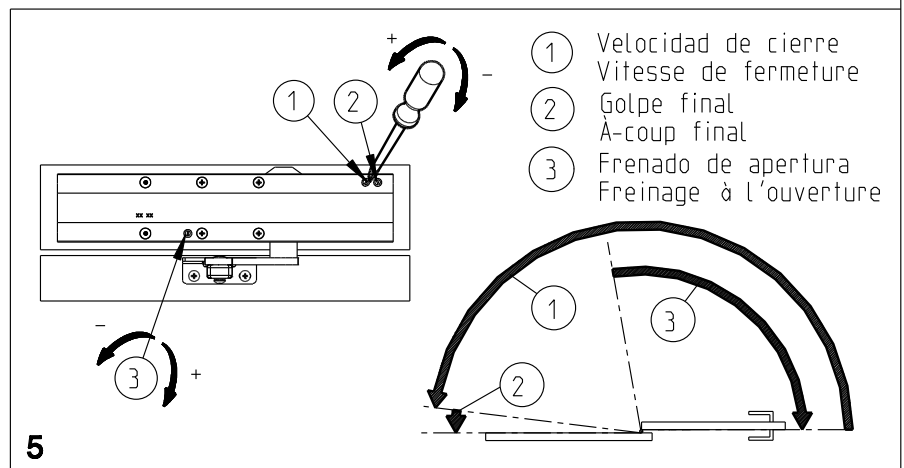
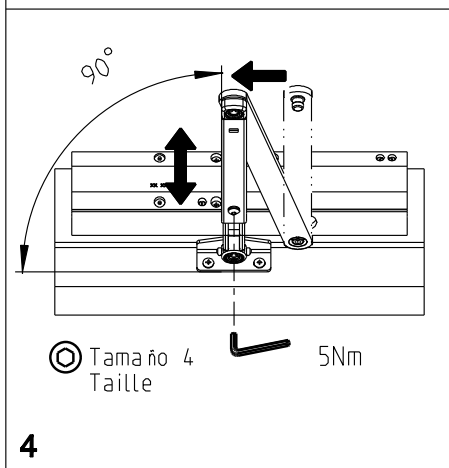
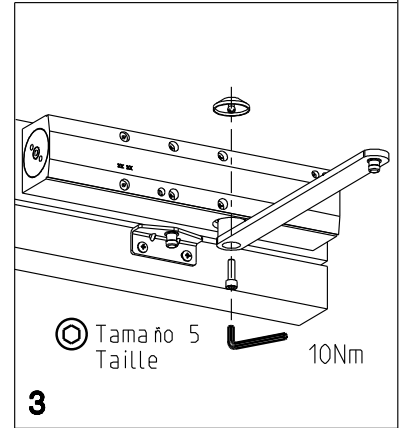
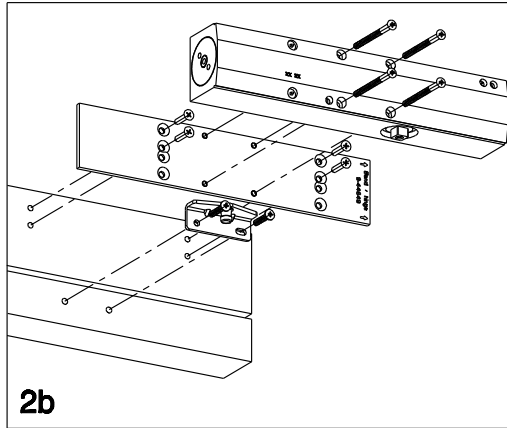
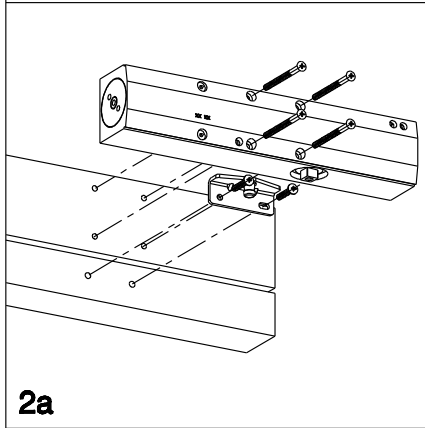
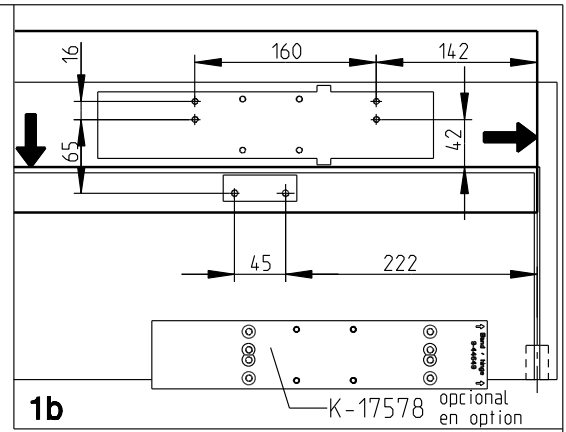
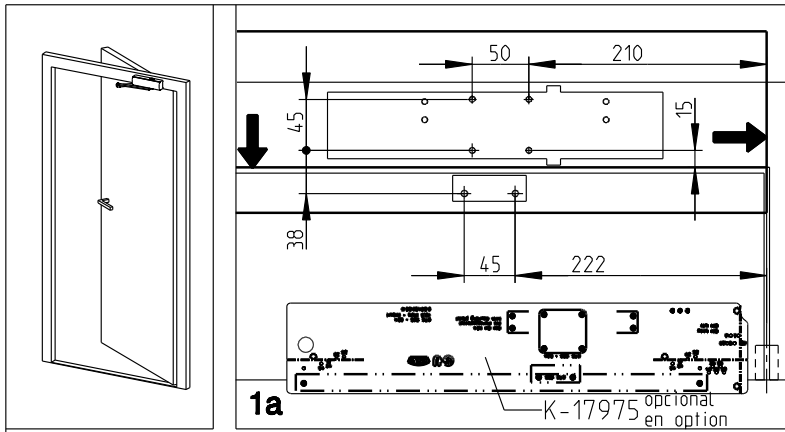
V4

Description

OTS 536, montaje normal lado bisagras, DIN dcha. K-17729 / K-17920

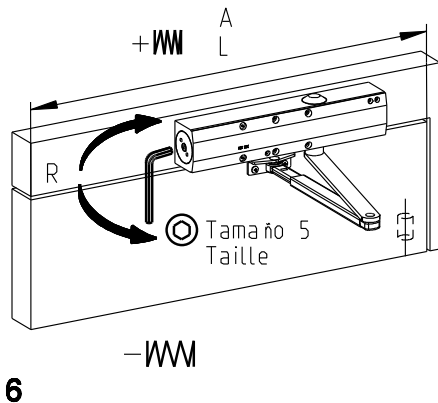
OTS 536, montage standard côté paumelles, DIN droite K-17729 / K-17920

	Release No. --	Level	Released		Scale %	Modification 4	Size 4
	Mod. No. G30831	Ver.	--	Wi			
		Draft	20.05.2015	Se			
Replacement for --						Drawing No. <b>0-45431-PG-0-ES</b>	Sheet 2/4

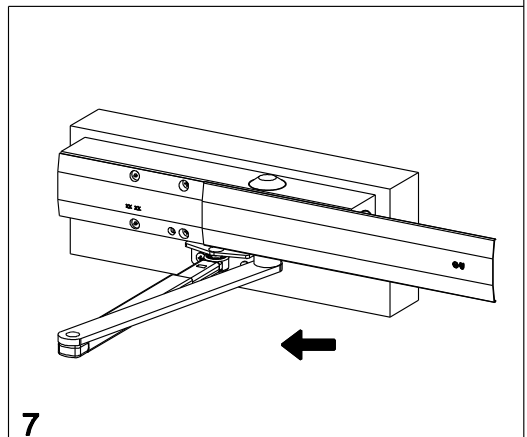


Proprietary rights apply in accordance with ISO 16016.

EN
ES
FR
--
--



Fuerza de cierre Force de fermeture		
EN	$\leq \frac{A}{L}$	$\curvearrowright$ R
2	850mm	- 6
3	950mm	- 5
4	1100mm	0
5	1250mm	+ 5
6	1400mm	+ 12



**Instrucciones de montaje**  
**Notice de montage**

V4

Description

**OTS 536, montaje invertido lado contrario a bisagras, DIN izda. K-17729 / K-17920**

**OTS 536, montage inversé côté opposé aux paumelles, DIN gauche K-17729 / K-17920**



Release No.  
--  
Mod. No.  
G30831

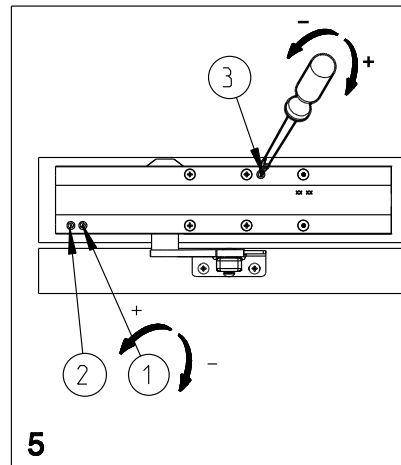
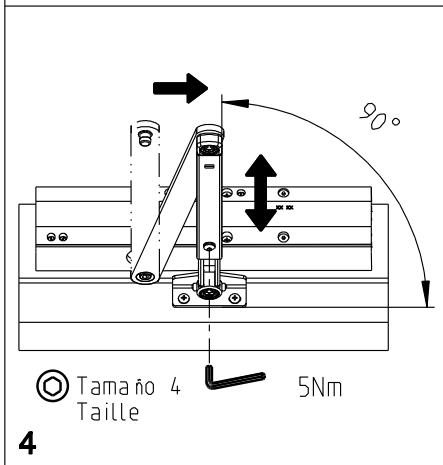
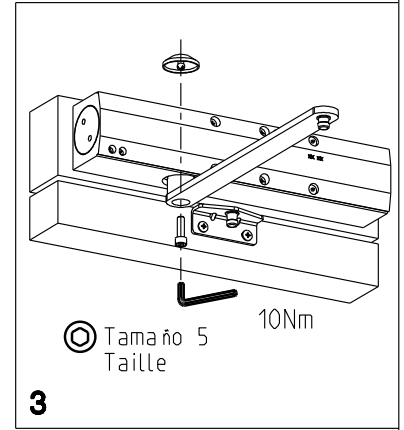
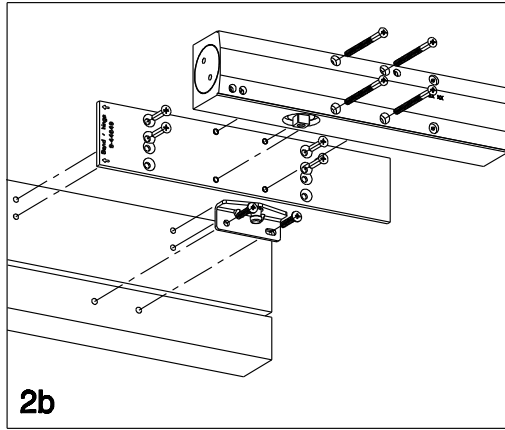
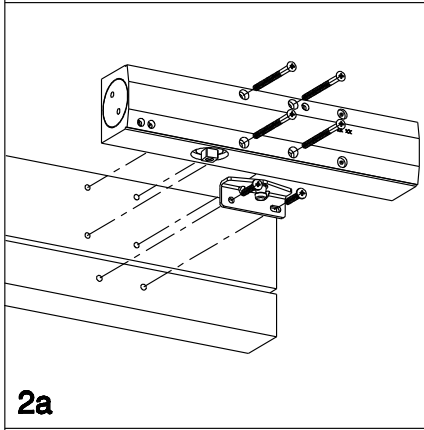
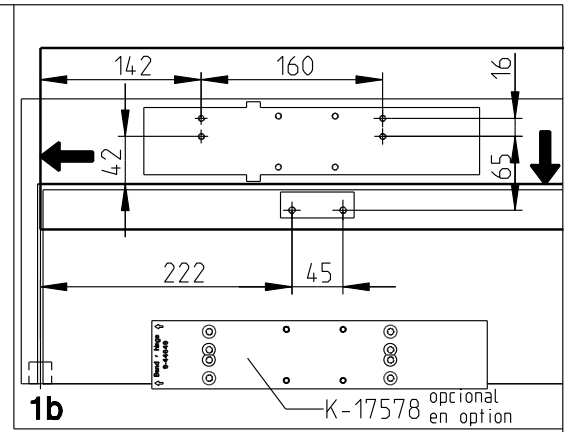
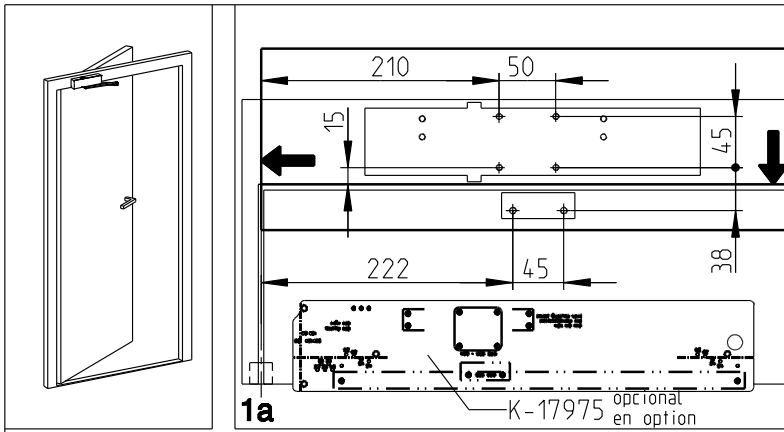
Level	Released		Scale %
Ver.	--	Wi	
Draft	20.05.2015	Se	

Modification  
4  
Drawing No.

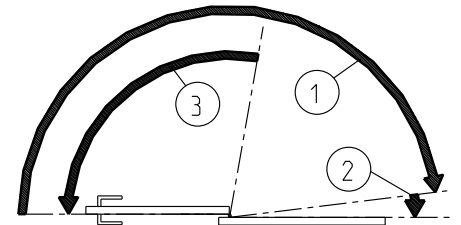
**0-45431-PG-0-ES**

Replacement for --

Size  
4  
Sheet  
3/4

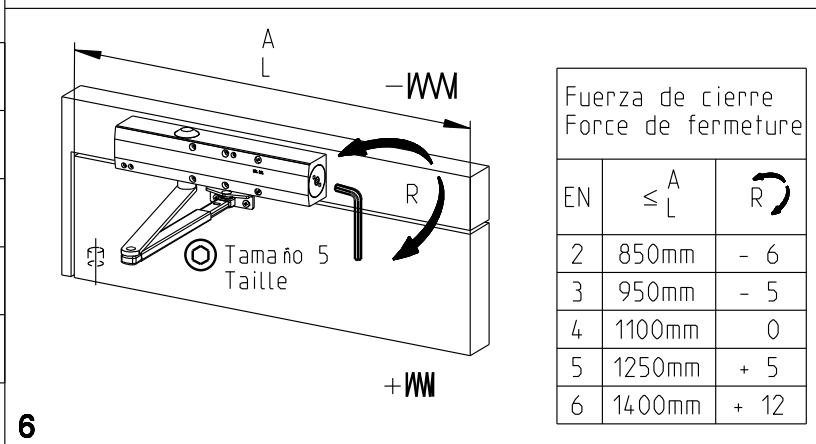


- ① Velocidad de cierre / Vitesse de fermeture
- ② Golpe final / À-coup final
- ③ Frenado de apertura / Freinage à l'ouverture

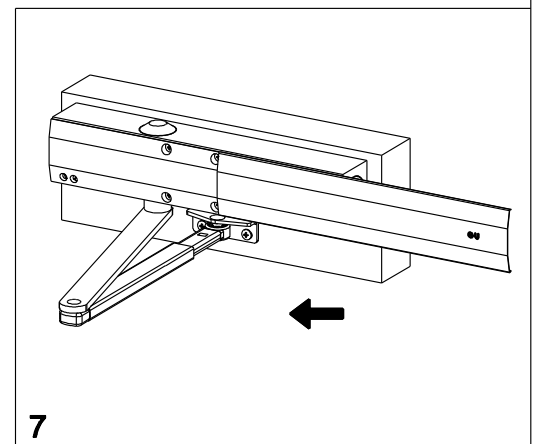


Proprietary rights apply in accordance with ISO 16016.

EN
ES
FR
--
--



Fuerza de cierre / Force de fermeture		
EN	≤ A / L	R
2	850mm	- 6
3	950mm	- 5
4	1100mm	0
5	1250mm	+ 5
6	1400mm	+ 12



**Instrucciones de montaje**  
**Noticw de montage**

V4

Description							
<b>OTS 536, montaje invertido lado contrario a bisagras, DIN dcha. K-17729 / K-17920</b>							
<b>OTS 536, montage inversé côté opposé aux paumelles, DIN droite K-17729 / K-17920</b>							
	Release No.	Level	Released		Scale	Modification	
	--	Ver.	--	Wi			%
	Mod. No. G30831	Draft	20.05.2015	Se			
Replacement for --					Drawing No. <b>0-45431-PG-0-ES</b>		
						Size	
						4	
						Sheet	
						4 / 4	