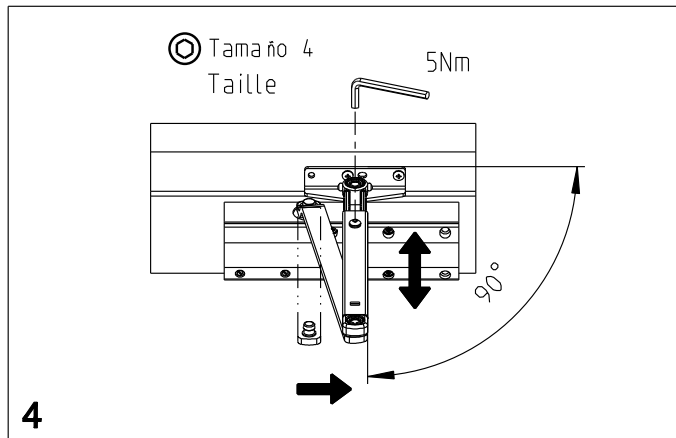
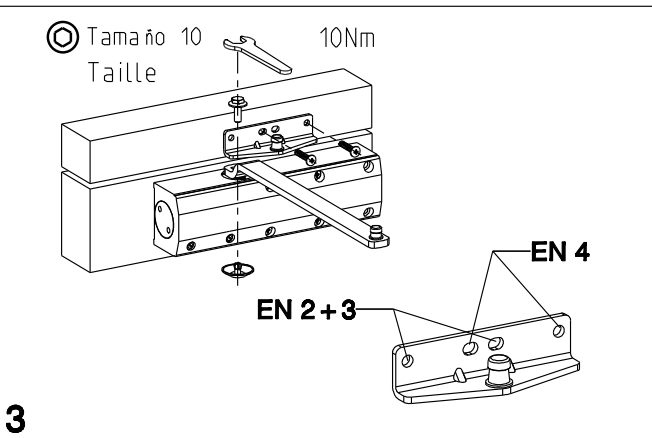
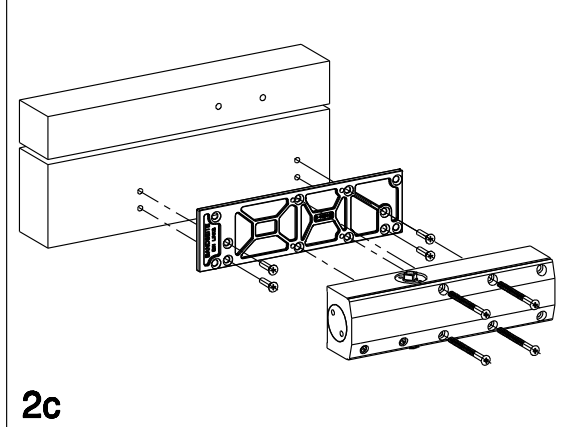
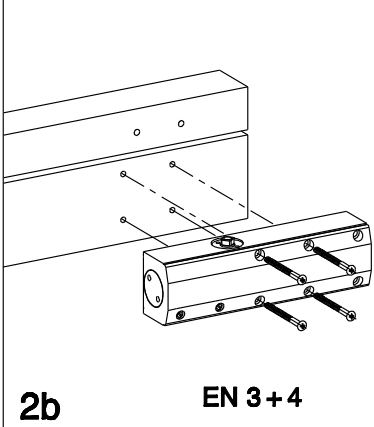
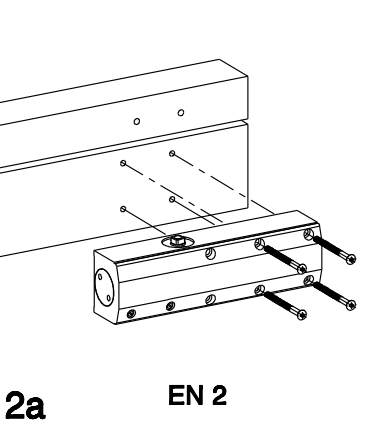
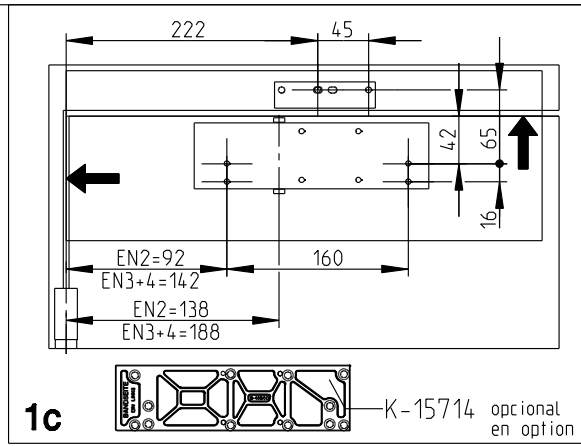
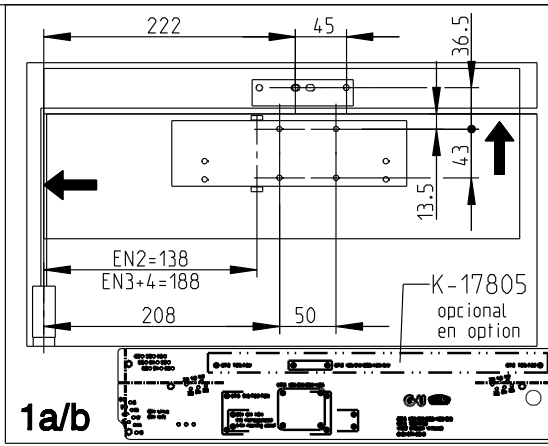
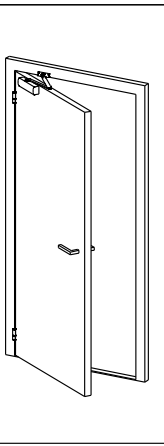
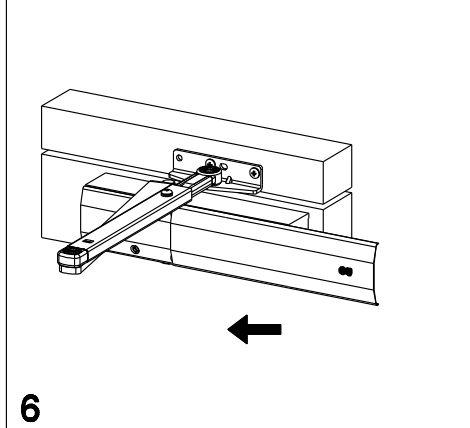
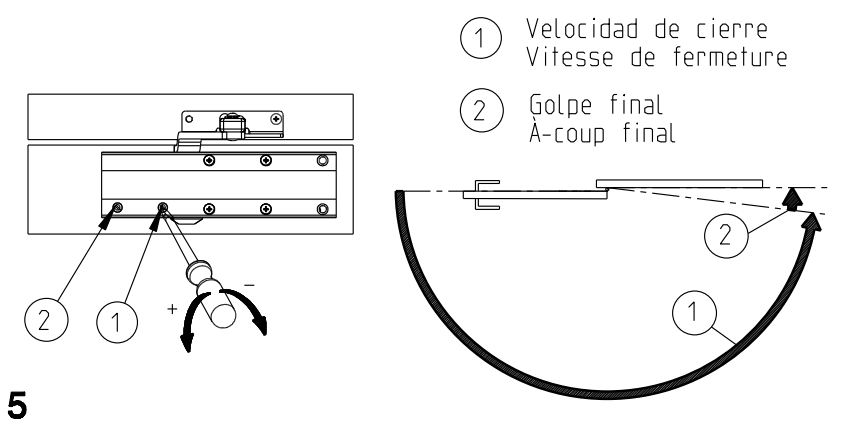


Greisch-Unitas GmbH Bahnbühl 66e Johann-Peters-Straße 3 D-71254 Ditzingen	06	4	2	0	1	3
	OTS 210					
CE	2006-015-0002 EN 1154:1996 • A1:2002 4 8					
	Substance: -----					



EN
ES
FR
--
--

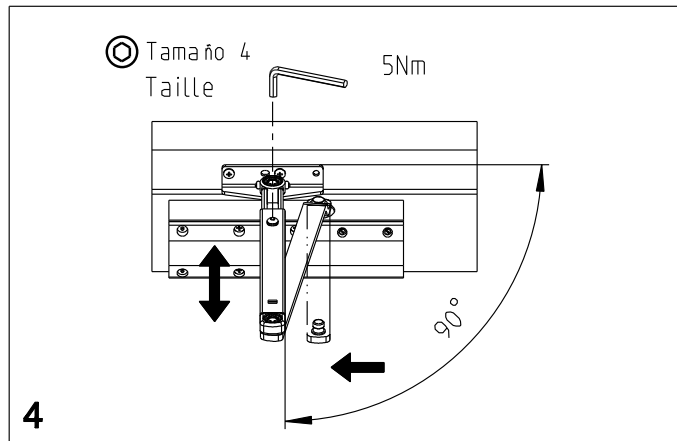
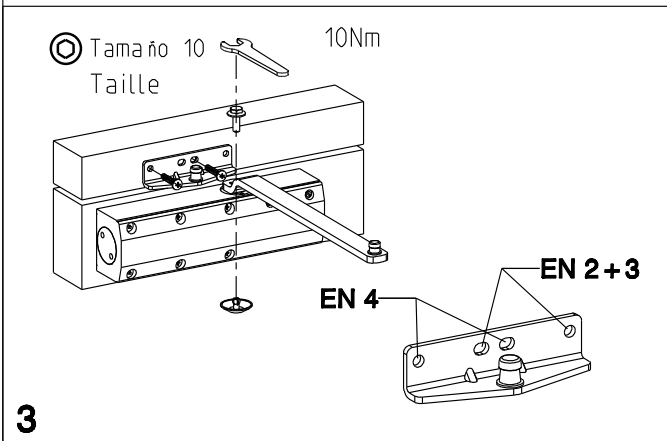
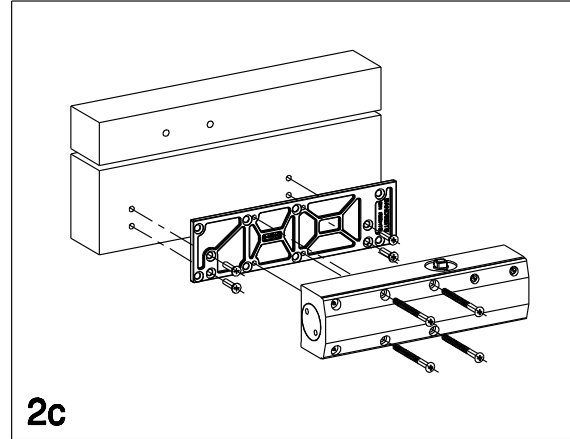
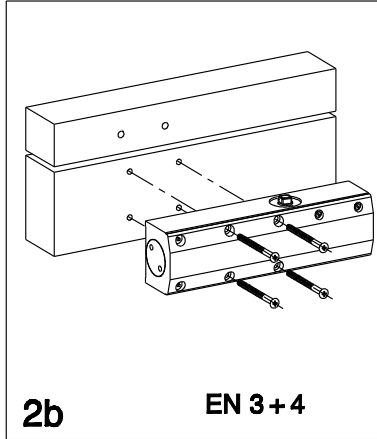
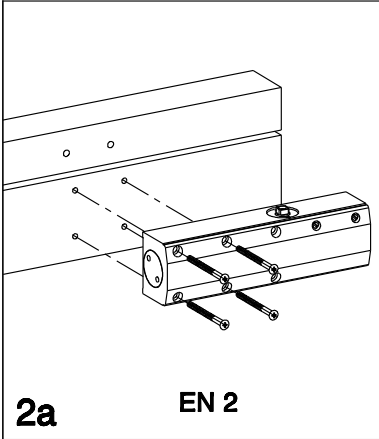
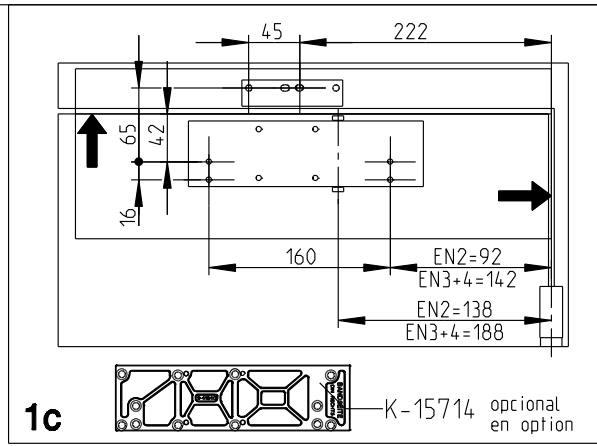
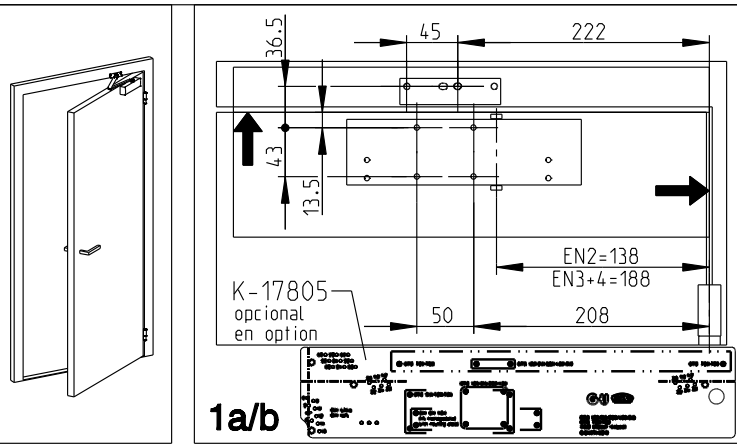


Description

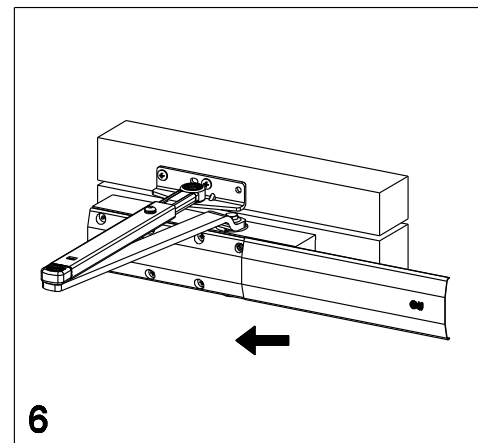
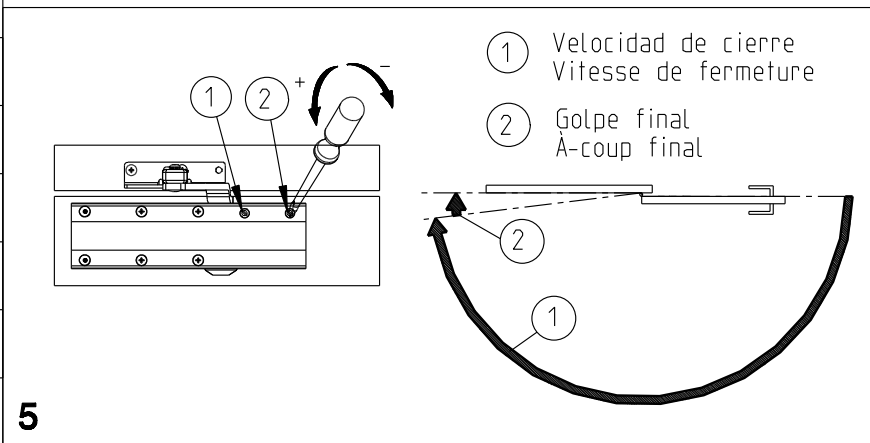
OTS 210 montaje normal lado bisagras, DIN izda. K-15710 / K-15710-01

OTS 210 montage standard coté paumelles, DIN gauche K-15710 / K-15710-01

GU	Release No.	Level	Released		Scale	Modification	Size
	--	Ver.	--	Wi			
	Mod. No. G30831	Draft	18.05.2015	Se	Drawing No.	0-45361-PU-0-ES	Sheet 1/4
Replacement for M-00113							



EN
ES
FR
--
--



Description

OTS 210, montaje normal lado bisagras, DIN dcha. K-15710 / K-15710-01

OTS 210, montage standard côté paumelles, DIN droite K-15710 / K-15710-01

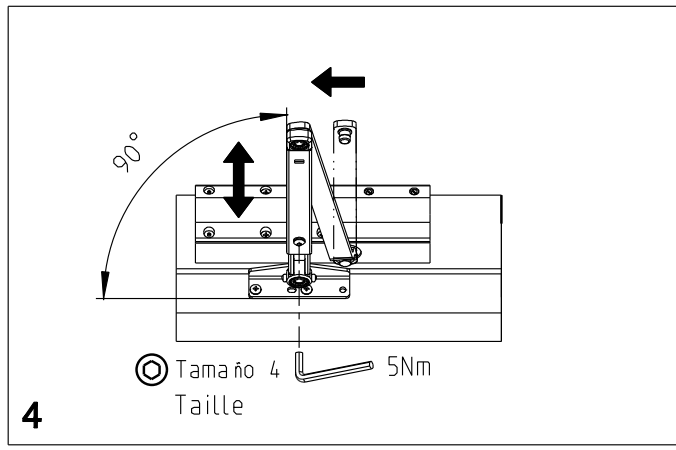
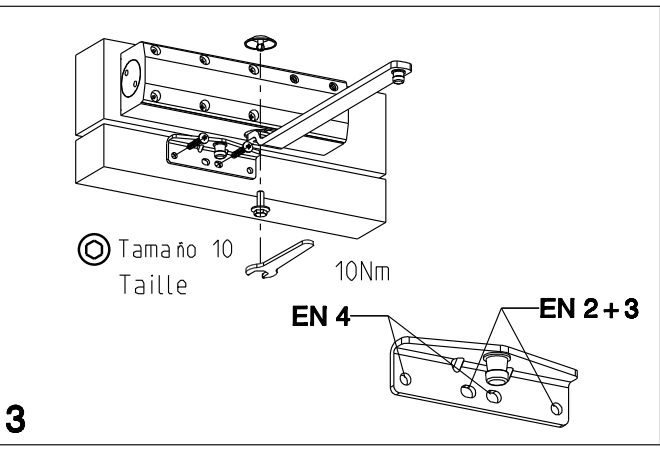
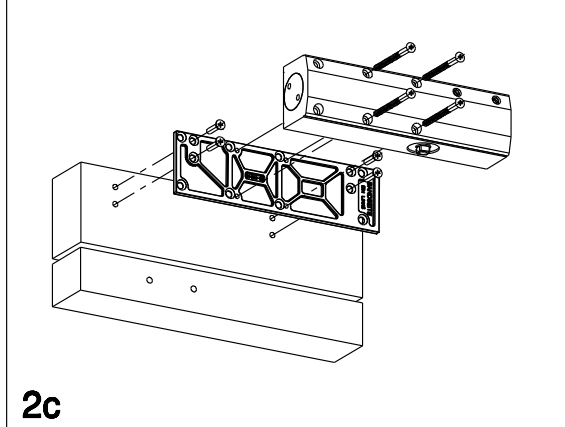
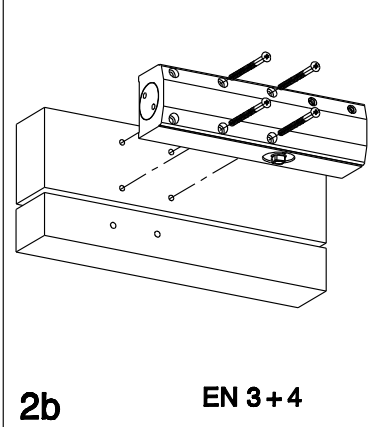
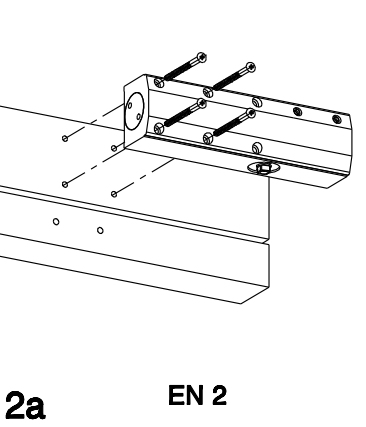
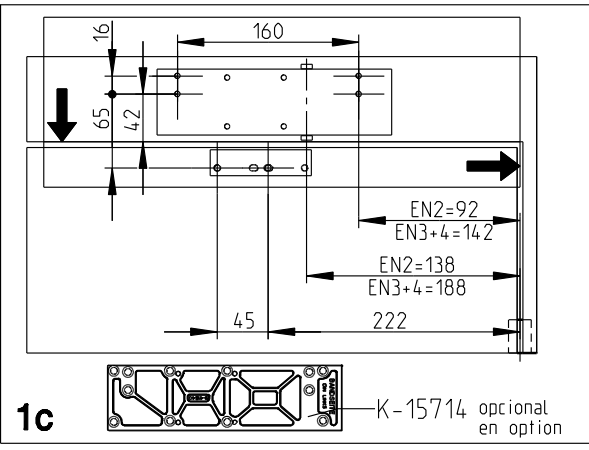
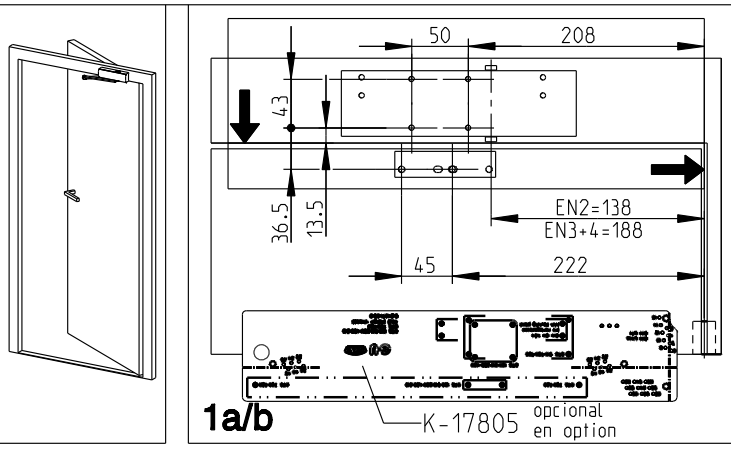


Release No.
--
Mod. No.
G30831

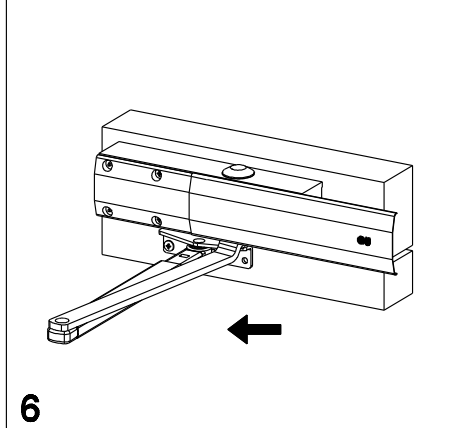
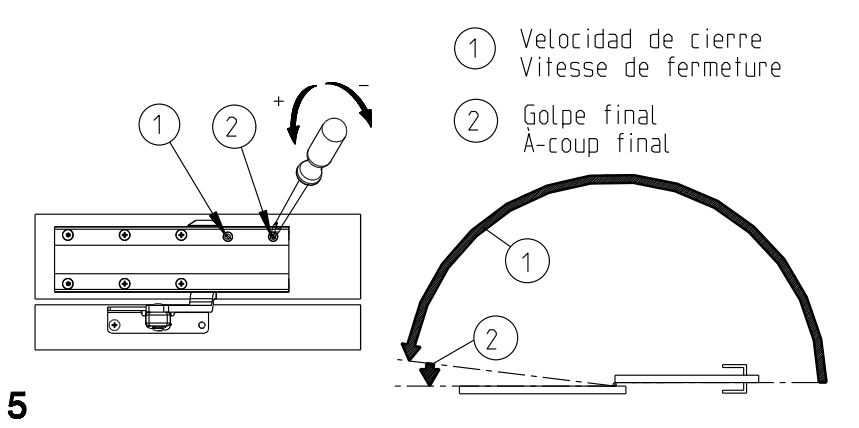
Level	Released	Scale	Modification	Size
Ver.	--	Wi	5	4
Draft	18.05.2015	Se	Drawing No.	Sheet

0-45361-PU-0-ES
2/4

Replacement for M-00113



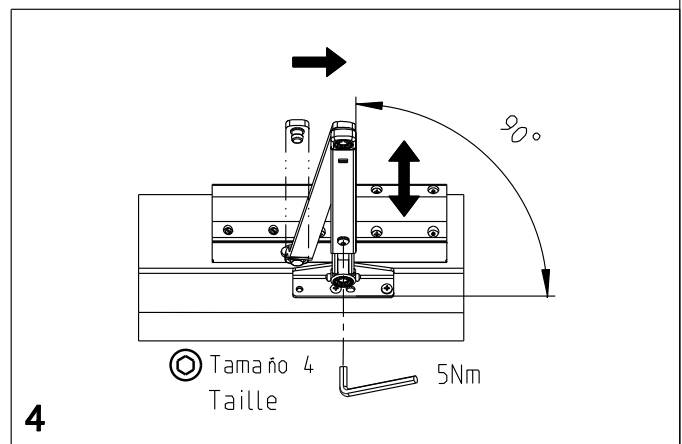
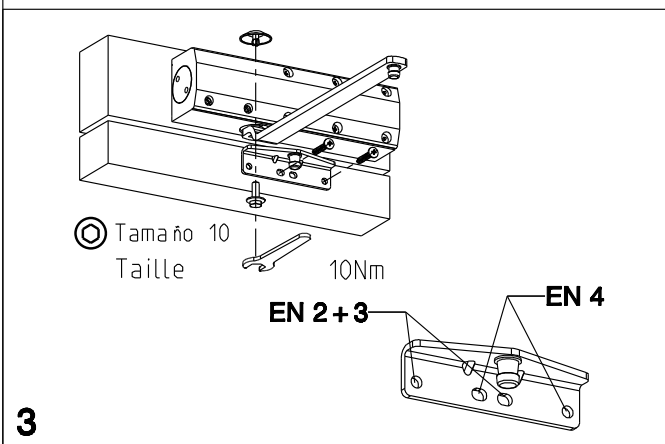
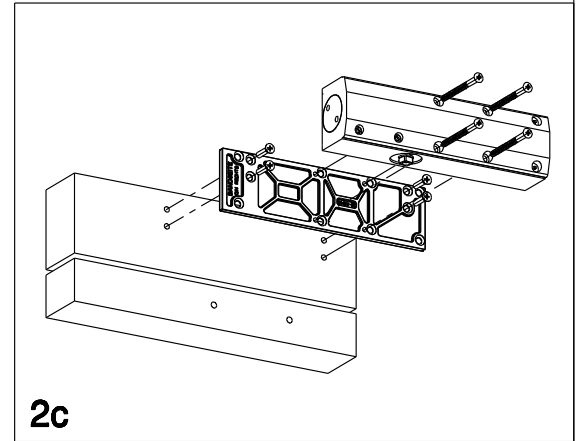
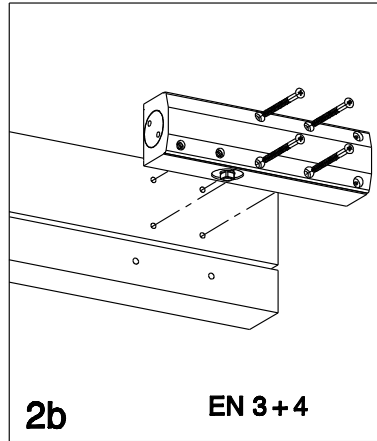
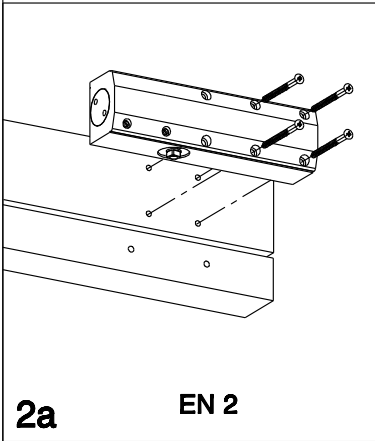
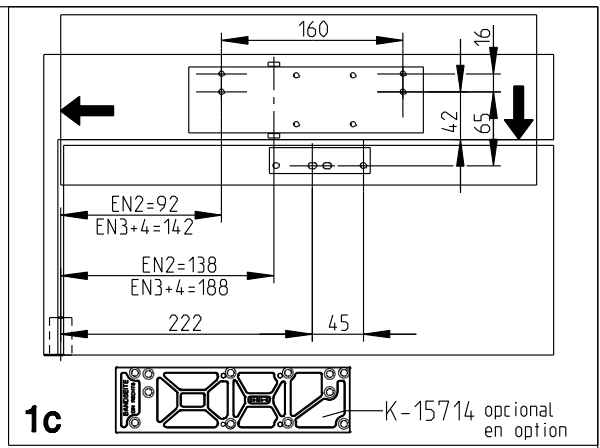
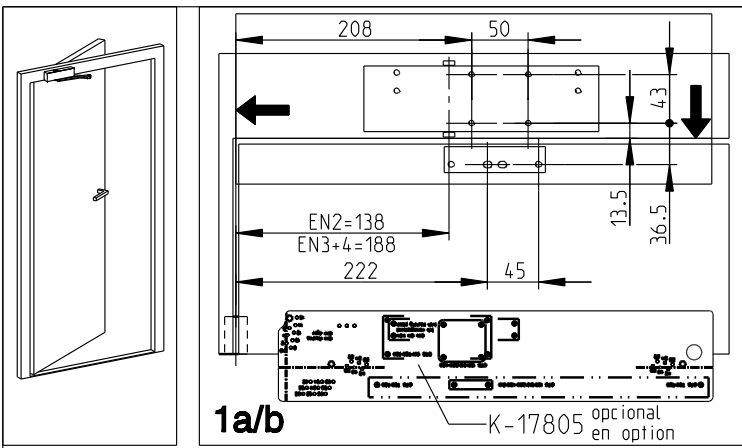
EN
ES
FR
--
--



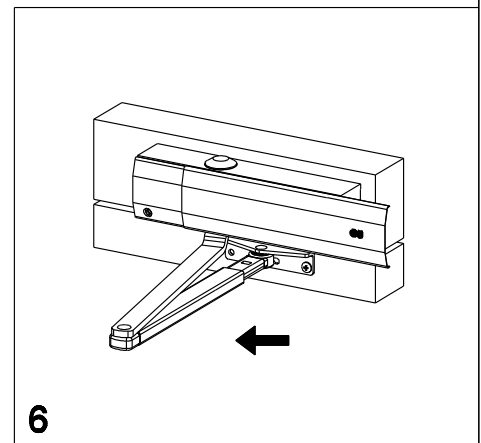
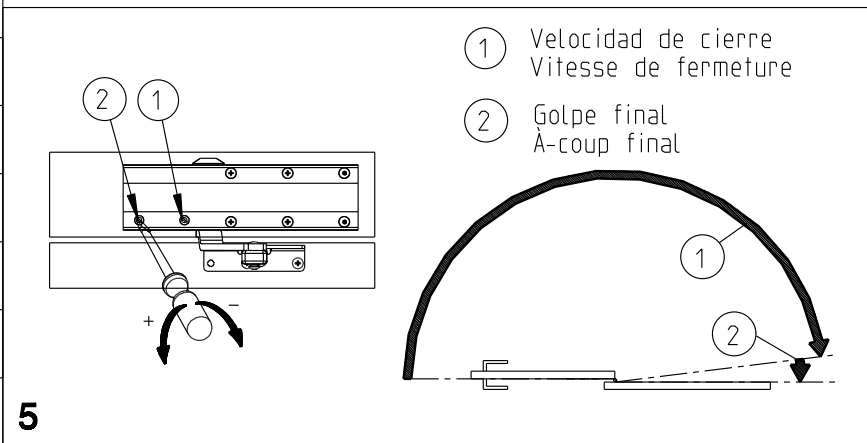
Instrucciones de montaje
Noticw de montage
V4

Description							
OTS 210, montaje invertido lado contrario a bisagras, DIN izda. K-15710 / K-15710-01							
OTS 210, montage inversé côté opposé aux paumelles, DIN gauche K-15710 / K-15710-01							
	Release No.	Level	Released		Scale %	Modification 5	Size 4
	Mod. No. G30831	Ver.	--	Wi			
	Draft		18.05.2015	Se			
Replacement for M-00113					Drawing No. 0-45361-PU-0-ES		Sheet 3/4

Proprietary rights apply in accordance with ISO 16016.



EN
ES
FR
--
--



Description							
OTS 210, montaje invertido lado contrario a bisagras, DIN dcha. K-15710 / K-15710-01							
OTS 210, montage inversé côté opposé aux paumelles, DIN droite K-15710 / K-15710-01							
	Release No.	Level	Released		Scale	Modification	
	--	Ver.	--	Wi			%
	Mod. No. G30831	Draft	18.05.2015	Se			
Replacement for M-00113						Size	
					5	4	
					Drawing No.	Sheet	
					0-45361-PU-0-ES	4 / 4	